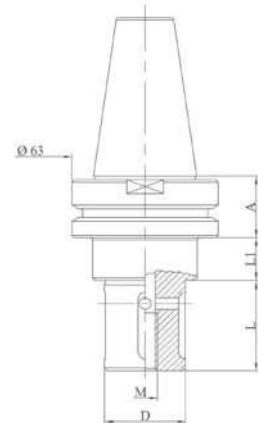




### GRINDING WHEEL HOLDER

Code	A	D	L	L1
MVLO111	25	22	20	51
MVLO122	25	22	39	51
MVLO112	25	22	40	51
MVLO123	25	22	47	51
MVLO113	25	22	80	51
MVLO114	25	22	20	51
MVLO119	25	35	25	51
MVLO124	25	35	34	51
MVLO115	25	35	39	51
MVLO125	25	35	47	51
MVLO116	25	35	80	51
MVLO117	25	45	45	51

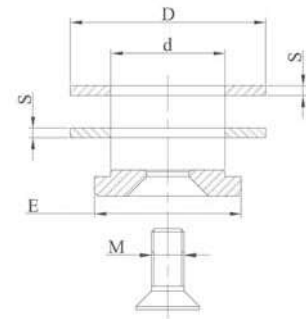


### LOCKING KIT

Kit made up of 2 spacer rings, 1 locking washer, 1 stainless steel or zinc-coated locking screw.

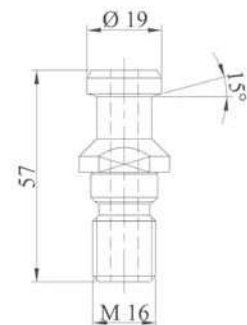


Code	d	D	E	M	S
M200	22	60	45	10	2
M210	35	60	45	12	3

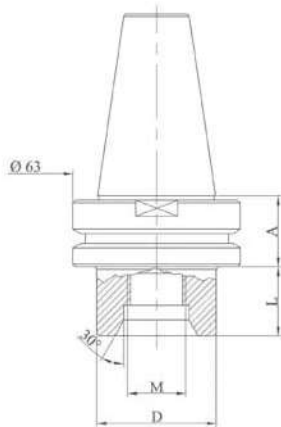


### PULL STUD

Code	Type
MVLO900	M16 Angle 15°

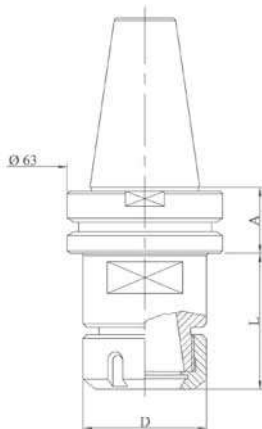


*Special tool holders are made on request*



### DRILL POINT HOLDER

Code	A	M	D	L
MVLO101	25	1/2"	45	26
MVLO105	25	1/2"	50	50
MVLO106	25	M30	50	50



### ER COLLET CHUCK HOLDER

Code	A	Collet type	D	L
MVLO131	25	ER25	50	53,40
MVLO132	25	ER40	63	57,15

For ER collets see page 77  
 For wrenches see page 75  
 For ring nuts see page 75



*Special tool holders are made on request*