

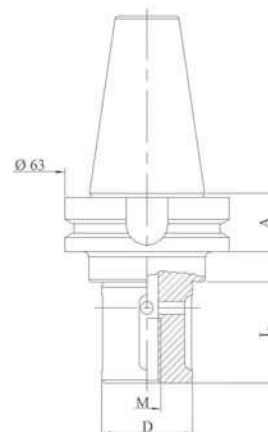
# Tool holders ISO 40 BT

Type "Denver", "VEM", "Thibaut", "Helios", "Park Industries", "Achilli", "Lovati"



## GRINDING WHEEL HOLDER

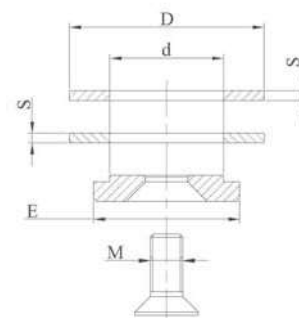
Code	A	D	L
MVVE100	27	12	20
MVVE111	27	22	20
MVVE122	27	22	34
MVVE112	27	22	39
MVVE123	27	22	47
MVVE113	27	22	80
MVVE114	27	35	20
MVVE115	27	35	34
MVVE124	27	35	39
MVVE125	27	35	47
MVVE126	27	35	60
MVVE116	27	35	80
MVVE117	27	45	45



## LOCKING KIT

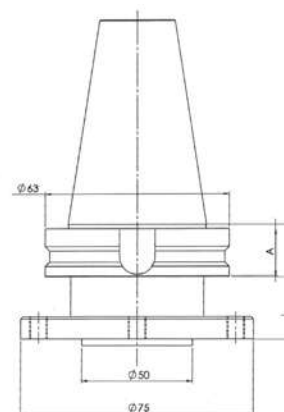
Kit made up of 2 spacer rings, 1 locking washer, 1 stainless steel or zinc-coated locking screw.

Code	d	D	E	M	S
M100	12	30	30	6	2
M200	22	60	45	10	3
M210	35	60	45	12	3
M220	45	98	78	M16	3



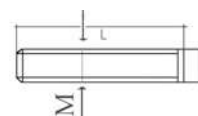
## GRINDING WHEEL HOLDER

Code	A	D	L
MVVE121C	27	50	50
MVVE126L	27	50	150
MVVE127L	27	50	200
MVVE128L	27	50	250

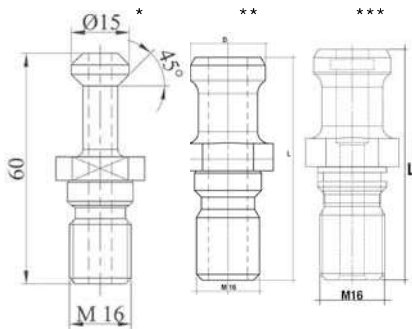


## LOCKING KIT

Code	M	L
M230	n° 6 screws	6 35

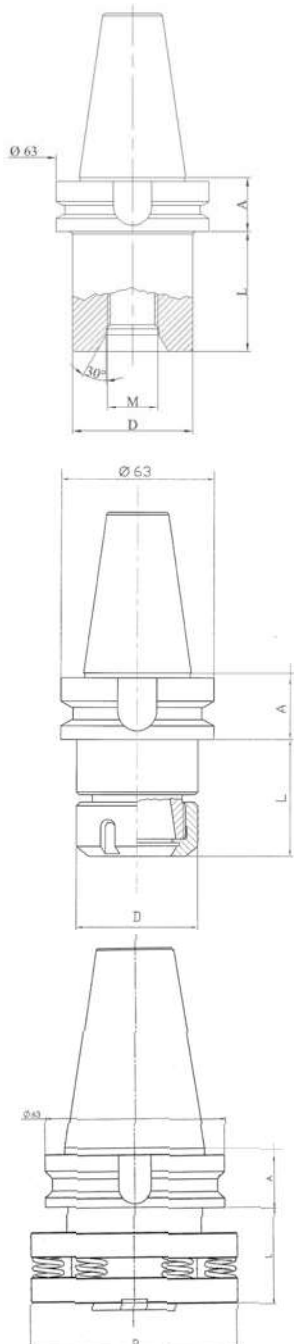


Special tool holders are made on request



## PULL STUD

Code	Type	L	
MVVE900	M16 angle 45°	60	*
MVTH900	M16	57	**
MVHE900	M16	57	***



## DRILL POINT HOLDER

Code	A	M	D	L1
MVVE101	27	1/2"	45	23
MVVE103	27	1/2"	45	45
MVVE106	27	M30	45	23
MVVE107	27	1/2"	45	0
MVVE108	27	1/2"	45	100
MVVE109	27	1/2"	45	160
MVVE110	27	1/2"	45	200
MVVE137	27	1/2"	45	250
MVVE103-SX	27	1/2"	45	45



## ER COLLET CHUCK HOLDER

Code	A	Collet type	D	L
MVVE131	27	ER32	50	72,5
MVVE132	27	ER40	63	76,25

For ER collets see page 77  
For wrenches see page 75  
For ring nuts see page 75

## SPRING LOADED ADAPTER

Code	A	L
MVVE140	27	50

*Special tool holders are made on request*