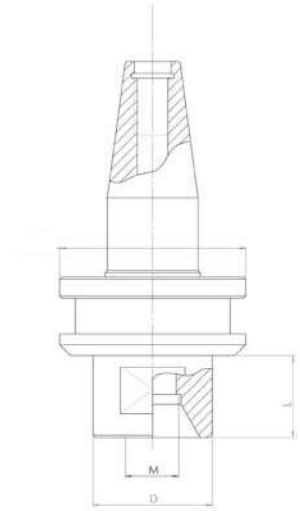




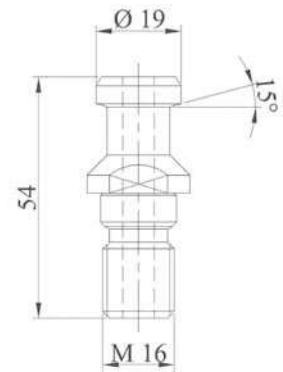
### DRILL POINT HOLDER

Code	D	L	M
MVPR1010T	50	35	1/2 gas



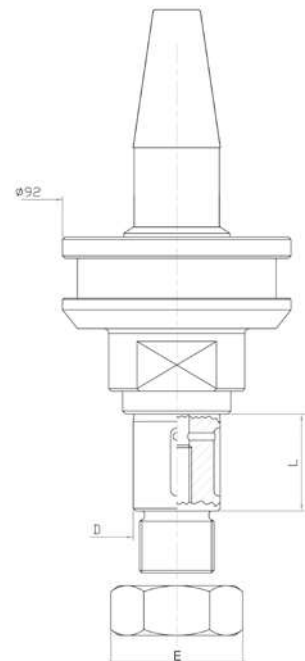
### PULL STUD

Code	Type
MVPR9000T	M16 angle 15°



### GRINDING WHEEL HOLDER

Code	D	L
MVPR1180T	35	127
MVPR1210T	50	5 6F



### LOCKING KIT

Code	M	E
M237	30	42

*Special tool holders are made on request*