



GRINDING WHEEL HOLDER

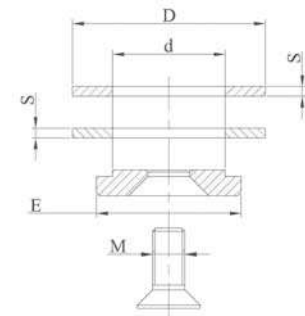
Code	D	L
MVLI122	22	20
MVLI126	22	40



LOCKING KIT

Kit made up of 2 spacer rings, 1 locking washer, 1 stainless steel or zinc-coated locking screw.

Code	d	D	E	M	S
M200	22	60	45	10	3



DRILL POINT HOLDER

Code	D	L
MVLI301	40	50



Special tool holders are made on request