

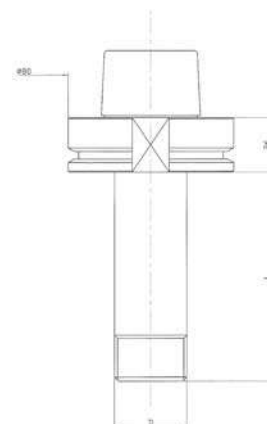
Tool holders HSK 80 B

Type " Forel"



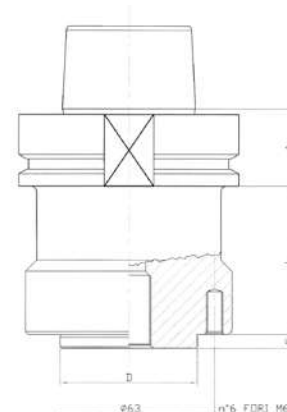
GRINDING WHEEL HOLDER

Code	D	L
MVFODX	35	100
MVFOSX	35	100



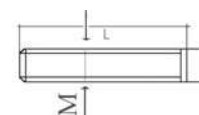
GRINDING WHEEL HOLDER

Code	A	D	L	L1
MVFO118	26	50	75	44

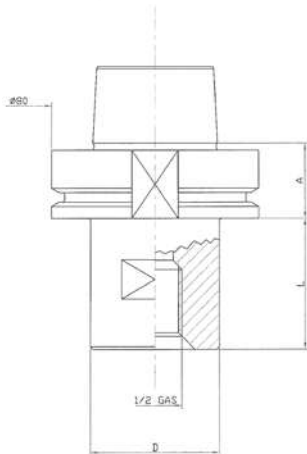


LOCKING KIT

Code	M	L
M230	n° 6 screws	35

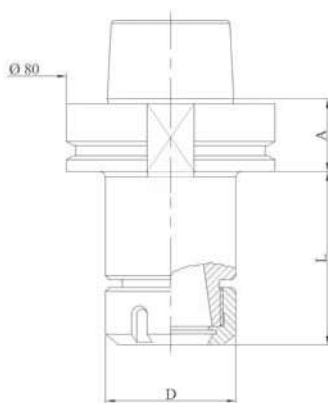


Special tool holders are made on request



DRILL POINT HOLDER

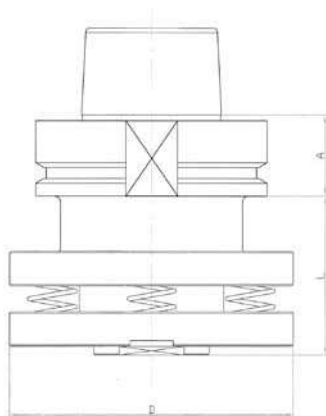
Code	A	M	D	L
MVFO115-DX	26	1/2 gas	50	44
MVFO115-SX	26	1/2 gas	50	44
MVFO101D-DX	26	1/2 gas	50	44
MVFO101D-SX	26	1/2 gas	50	44
MVFO101S-DX	26	1/2 gas	50	44
MVFO101S-SX	26	1/2 gas	50	44



ER COLLET CHUCK HOLDER

Code	Collet type	D	L
MVFO131	ER32	50	72,5
MVFO132	ER40	63	76,5

For ER collets see page 77
 For wrenches see page 75
 For ring nuts see page 75



SPRING LOADED ADAPTER

Code	A	L
MVFO140	26	75

Special tool holders are made on request